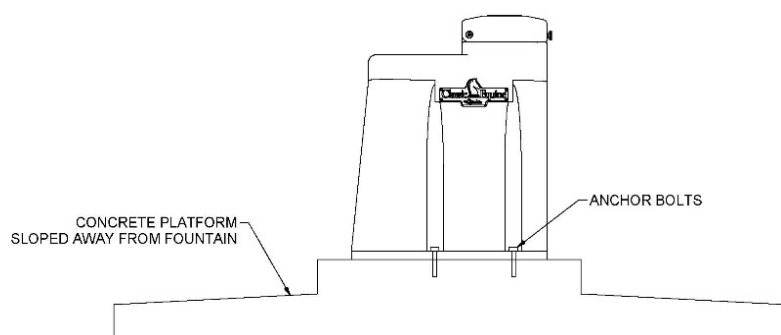


# EZFount Installation Instructions

**A. Location** - Putting the fountain in a location that offers protection from the wind will enhance the performance of the fountain. Livestock will tend to gather in this protected area, enticing them to drink more. If possible, the side that supply line enters the fountain should be opposite of prevailing winter wind to give additional protection to the supply line.

## **B. Mounting Options –**

**1. Option A** - A concrete platform should be provided for all fountains. It should be at least 4” thick and large enough to accommodate fountain. An additional 4” high step 18” out from each side of the unit will protect the unit from manure handling equipment, as well as discouraging animals from defecating in the fountain. Extending the platform provides animals a place to stand while drinking, consider the size of your animals when determining the dimensions of your platform. Slope the platform away from the fountain for drainage. A rough broom finish on the concrete surface provides better footing for animals.



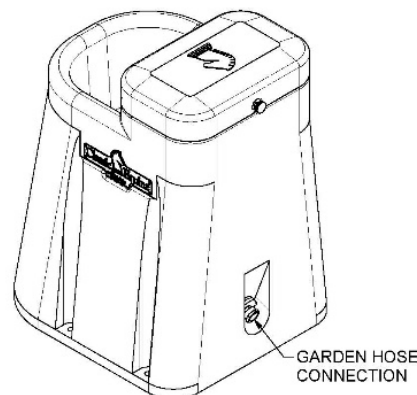
**2. Option B** - Filling with sand. **Two adults are required to complete this assembly.** Fill the fountain with up to 350 lbs of sand. Locate fountain in its final position and then roll it forward on to its top. With the fountain flipped over fill with sand and then press the red plug in place to seal hole. Using two adults flip the fountain back to its base and set into position.



**C. Hold-Downs** – Ritchie Fountains have mounting pockets molded into the base. Use of Ritchie stainless steel anchor bolts (not included) is recommended for concrete installations. Anchor bolts are available from any Ritchie authorized dealer, in packages of two, part # 16555. Once you have verified the positioning of the fountain, drill, install, and tighten down anchor bolts. Use the large washers provided to hold unit down. Tighten hold down anchors tight, but do not over tighten as this could damage the plastic feet.

**D. Final Water Connection** – Connect hose to supplied connection. Be sure to place hose out of reach of animals.

**E. Drain Plug** – Install pre-assembled drain plugs from inside of trough. Plugs should be pushed in flush to prevent accidental removal by animals. Wetting the plug can aid proper installation. Tighten the wing nut to secure plug.



**F. Float Adjustment** – Turn on water supply, check for and correct any leaks. Adjust float for a water depth of one-two inches below top of trough by adjusting the wingnut.

**G. Install Cover** – Securely fasten the valve chamber cover by tighten the knurled screw. Do not over tighten. Note: Serial number or date code is found on underneath side of the valve cover.

**H. Cleaning Your Fountain** – To clean your watering fountain you will need a good stiff bristled brush. Open the cover then brush the valve chamber to remove any build-up then brush the tank. Remove the drain plug that is located at the end of the trough to drain out the water and debris. You can shut off the water with the shut-off valve located under the unit or by holding the float in the up position. After the water and debris has drained reinstall the plug and let the tank refill. Now is a good time to readjust the float if needed. Fasten cover and you are done.

## Ritchie Valves

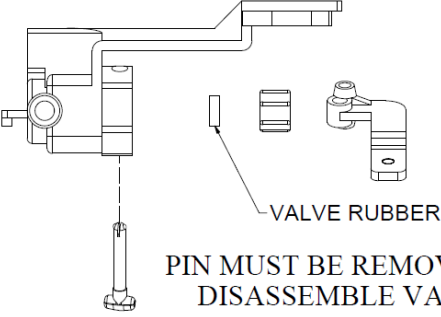
Ritchie valves come in various sizes and pressure ratings as shown below - green for high supply line pressure, red for moderate supply pressure, and white for low-pressure applications. Differences in the size of trough also impacts valve choice. Your individual situations may require a change from the standard valve supplied with your fountain, see your Ritchie Dealer if this is needed.

**NOTE:** *The red ½” valve is standard on the EZFount.*

1/2”	Part #	GPM	Pressure Range
White	12574	4.8	Low, 5-40 psi. (34-275 kPa)
Red	12575	3.4	Moderate, 40-60 psi. (275-414 kPa)
Green	13597	1.45	High, 60-80 psi. (414-552 kPa)

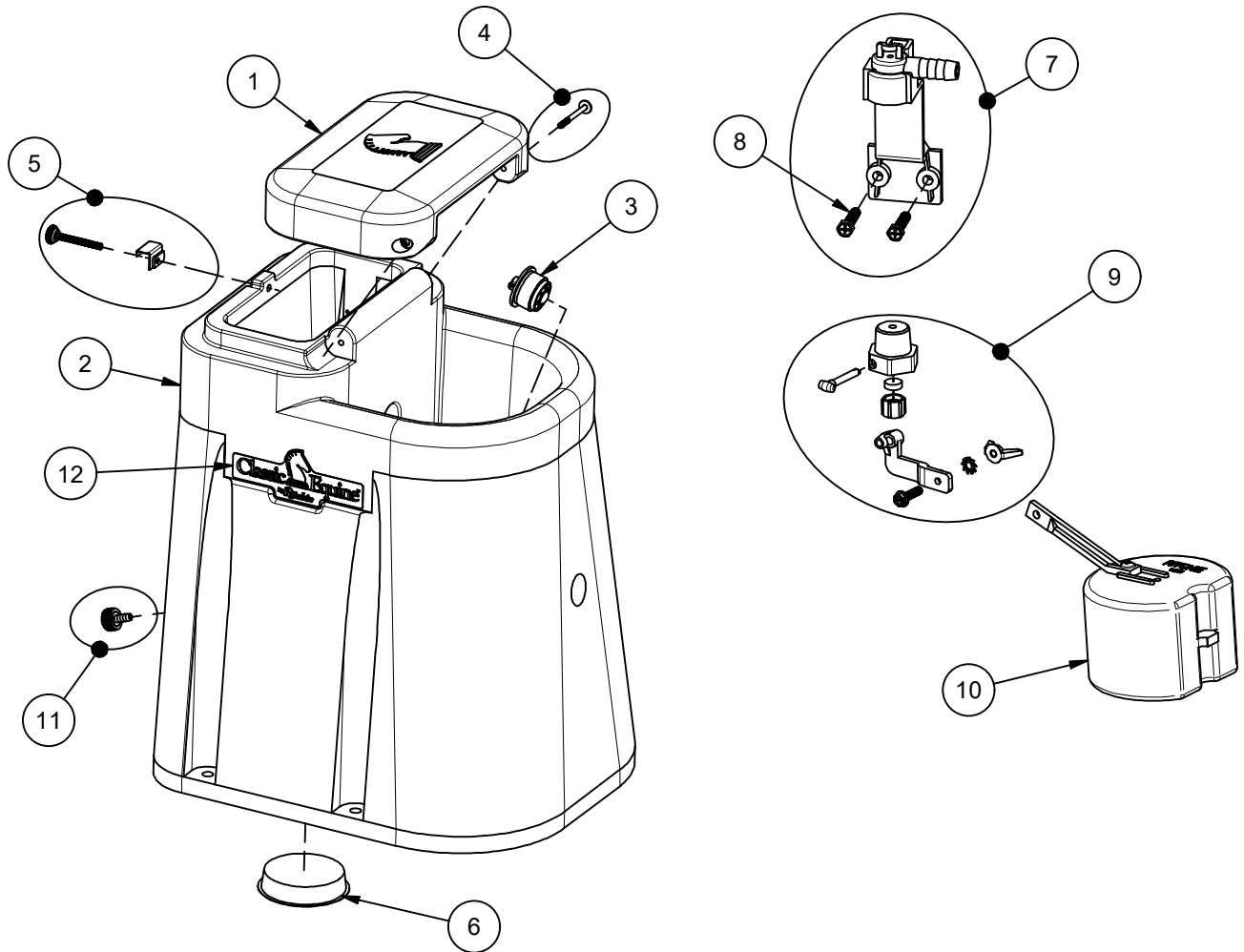
**NOTE:** *Maximum inlet water pressure for each valve is shown above. If water pressure is extremely high, and if the valve does not shut off, a pressure-reducing valve may be needed.*

## Trouble Shooting

Problem	Solution
Low Water Flow	Check that valve inlet is not plugged or supply hose is not kinked.
	Check system pressure from supply hose by installing a tee and pressure gauge in front of the valve to check pressure drop when valve is open. A severe pressure drop indicates a restriction or undersized supply system.
	Check that shut off valves are fully open.
Valve won't stop dripping	Check float adjustment. Ensure float moves freely.
	Take valve apart and check for sand or scale in valve rubber.
	Turn valve rubber over and re-assemble.
	Check for excessive water system pressure and install pressure reducing valve.
<p><b>1/2" Valve:</b></p>  <p style="text-align: center;">PIN MUST BE REMOVED TO DISASSEMBLE VALVE.</p>	

# Classic Equine EZFOUNT

Part # 18710



Item	Part #	Description	Qty	Item	Part #	Description	Qty
1	18712	EZFOUNT Cover	1	9	12575	Red Valve 1/2" pkg	1 pkg
2	18714	EZFOUNT Base	1	10	13613	Float with Short Arm pkg	1 pkg
3	18849	Ritchie 2" Plug Package	1 pkg	11	18717	EZFOUNT Hose Adpt. Pkg	1 pkg
4	18716	Classic Equine Hinge Bolt (2/pkg)	1 pkg	12	18719	Classic Equine Logo pkg (2/pkg)	1 pkg
5	18718	Cover Latch Hardware pkg	1 pkg	NS	15931	Hose Clamp SS (5/pkg)	1 pkg
6	18727	Cap Pkg (2/pkg)	1 pkg	NS	18613	Adapter 1/2" x 3/8" HB	1 pkg
7	11515	Valve Bracket w/Screw pkg	1 pkg	NS	18715	EZFOUNT Accessory pkg	1 pkg
8	18709	Screw Valve Mount (4/pkg)	1 pkg				



## RITCHIE INDUSTRIES, INC.

### LIMITED WARRANTY

Ritchie Industries, Inc., hereinafter referred to as Ritchie Industries, gives a LIMITED WARRANTY for the period of time(s) stated herein, subject to certain limitations, on your new watering system against defects in material or workmanship when properly installed, set up, operated, and maintained in accordance with the instructions and recommendations set forth by Ritchie Industries, including in the Installation Instructions. **The warranty excludes labor and shipping charges.**

The warranty is transferable to the next purchaser of the watering system prior to expiration of the warranty period, but any such transfer will not extend the original warranty term. Proof of purchase must be submitted with any warranty claim, and all warranty claims shall be processed through an Authorized Ritchie Dealer or Distributor.

Ritchie Industries' liability for any defects in material or workmanship with respect to accepted goods shall be limited to repairing the goods or replacing them as Ritchie Industries shall elect. Parts used in warranty repairs will be warranted for the balance of the water system's warranty period, with all parts replaced under warranty becoming the property of Ritchie Industries.

The limited warranty periods begin upon delivery of the watering system to the original purchaser. Upon delivery of the goods, purchaser assumes all liability, including but not limited to all personal injury and property damage, resulting from the handling, possession, or use of the goods.

### WARRANTY COVERAGE AND LIMITATIONS

#### Limitations of Warranties and Remedies

Ritchie Industries' watering systems are designed and manufactured to provide years of reliable use when installed and operated consistent with Ritchie Industries' instructions and recommendations. However, the potential for improper installation, modifications and misuse of the goods exists. Therefore, the limited warranty provided shall be as follows:

This limited warranty shall not apply to any appearance items and shall not apply to any product which has been subject to misuse, abuse, abnormal service or handling, negligence, or accident, nor to any product that is installed and/or used contrary to Ritchie Industries' installation instructions and instructions for use. The limited warranty shall also not apply to any product whose exterior has been damaged or otherwise defaced, that has been repaired, altered, or modified by anyone, other than Ritchie Industries, in a way so as in Ritchie Industries' judgment it adversely affects the product's operation, performance, durability, or intended use, nor to any product where removal of parts, modification(s) or use of parts or accessories not manufactured or approved by Ritchie Industries has caused damage.

#### Coverage and Warranty Periods

Unit Type	Coverage and Warranty Period
Poly Units	Base, top, and ball closures. Ten-year limited warranty: 100% for first five years, then declining 20% per year for remainder of the 10-year period.
Stainless Steel Units	Stainless trough and stainless valve chamber frame. Ten-year limited warranty, plus ten years of corrosion coverage, at 100% for entire 10-year period.
Component Parts	One-year limited warranty on all component parts, such as floats, valves, and heating elements.

#### Exclusions of Liability

EXCEPT AS OTHERWISE EXPRESSLY STATED HEREIN, RITCHIE INDUSTRIES MAKES NO OTHER WARRANTY OR REPRESENTATION OF ANY KIND, EXPRESSED OR IMPLIED. **THE IMPLIED WARRANTY OF MERCHANTABILITY AND FITNESS FOR A PARTICULAR PURPOSE ARE EXCLUDED FROM THIS LIMITED WARRANTY.** TO THE EXTENT THEY CANNOT BE DISCLAIMED, THE IMPLIED WARRANTIES ARE LIMITED IN DURATION TO THE LIFE OF THE EXPRESS WARRANTY. **THIS LIMITED WARRANTY EXCLUDES INCIDENTAL, CONSEQUENTIAL, AND SPECIAL DAMAGES. THIS EXCLUSION OF CONSEQUENTIAL, INCIDENTAL, AND SPECIAL DAMAGES IS INDEPENDENT FROM AND SHALL SURVIVE ANY FINDING THAT THE EXCLUSIVE REMEDY FAILED OF ITS ESSENTIAL PURPOSE.** THE REMEDIES SET FORTH IN THIS LIMITED WARRANTY ARE THE ONLY REMEDIES AVAILABLE TO ANY PERSON UNDER THIS WARRANTY. SOME STATES/PROVINCES DO NOT ALLOW FOR THE DISCLAIMERS, LIMITATIONS, AND EXCLUSIONS IDENTIFIED ABOVE AND, AS A RESULT, THEY MAY NOT APPLY TO YOU.

No agent, employee or representative of Ritchie Industries, and no Ritchie Industries Dealer/Distributor, is authorized to bind Ritchie Industries to any representation or warranty regarding the goods except as specifically included in this limited warranty.

# Installation Instructions for



P L A Y T O W I N <sup>TM</sup>

## EZFount

*Congratulations, you have just purchased the finest watering fountain on the market. This unit is built to give you excellent service when properly installed and maintained. Please follow instructions carefully. Read and understand all instructions before installing.*

18715  
EZFOUNT BAG ASSY  
847987087156

