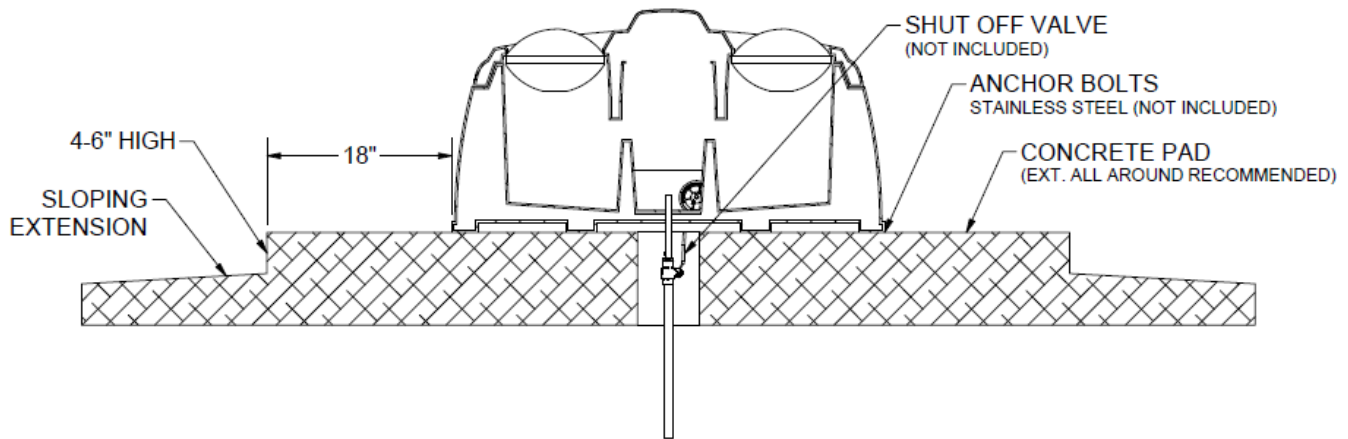


Models GC-2 Fountain Installation Instructions



A. Location - Putting the fountain in a location that offers protection from the wind will enhance the performance of the fountain. Livestock will tend to gather in this protected area, enticing them to drink more. If possible, the side that supply line enters the fountain should be opposite of prevailing winter wind to give additional protection to the supply line.

B. Water Supply Line –

- 1. Option A** - The horizontal underground water line should be sized to account for pressure drop, relating to distance, at least 3/4" in diameter. A 3/4" vertical supply pipe is recommended. A shut-off valve should be installed under the fountain for servicing. Flush water supply line before connecting to fountain. Water supplies with material such as sand, rust, etc. may require a filter to keep valve working properly. Connect supply hose to customer supplied shutoff valve at the top of the concrete prior to anchoring unit.
- 2. Option B** – Garden hose hook up is available by purchasing Ritchie Part #18696 (GC-2 with 5/8" hose). Follow instructions included in the package. Be sure to place hose out of the reach of animals.

C. Mounting Platform – A concrete platform should be provided for all fountains. It should be at least 4" thick and large enough to accommodate fountain. An additional 4" high step 18" out from each side of the unit will protect the unit from manure handling equipment, as well as discouraging animals from defecating in the fountain. Extending the platform provides animals a place to stand while drinking, consider the size of your animals when determining the dimensions of your platform. Slope the platform away from the fountain for drainage. A rough broom finish on the concrete surface provides better footing for animals.

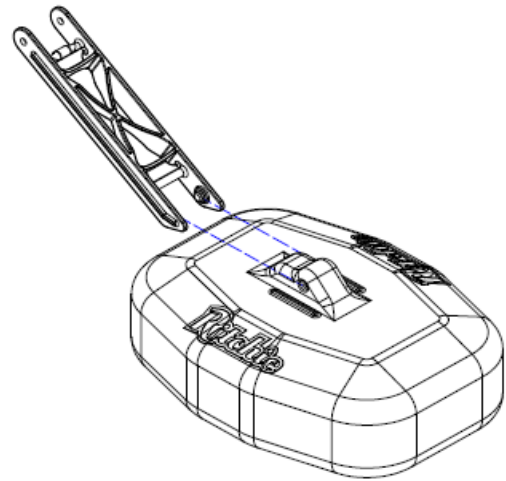
D. Position Fountain - Set the fountain on the concrete pad to inspect positioning of the installation. Once all connections are lined up, marking anchor bolt location can easily be done with a drill.

Note: For underground water supply connect hose to the top of the supply line, or the customer supplied shutoff valve at the top of the concrete. Place fountain on the concrete platform over the riser tube so the supply hose is centered in riser tube.

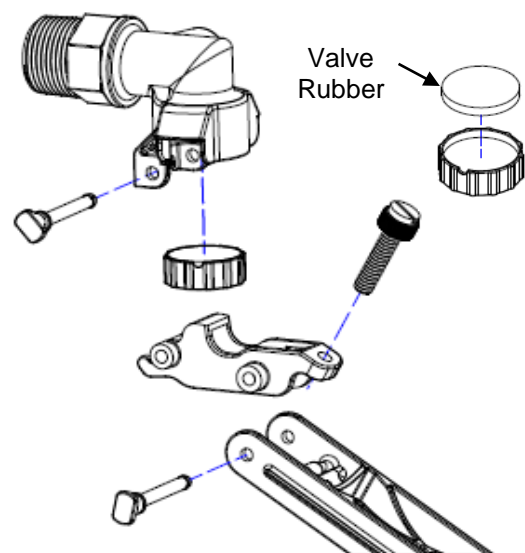
E. Hold-Downs – Ritchie Fountains have mounting pockets molded into the base. Use of Ritchie stainless steel anchor bolts (not included) is recommended for concrete installations. Anchor bolts are available from any Ritchie authorized dealer, in packages of two, part # 16555. Once you have verified the positioning of the fountain, drill, install, and tighten down anchor bolts. Use the large washers provided to hold unit down. Tighten hold down anchors tight, but do not over tighten as this could damage the plastic feet.

F. Assemble Valve – Follow the steps to assemble the high-pressure valve included with your waterer.

1. Insert valve rubber into the valve rubber retainer.
2. Attach float arm to float as shown in diagram. The raised emboss on top of float should be orientated as shown.
3. Screw thumb screw into cam arm. To adjust water level, tighten thumb screw to lower, loosen thumb screw to raise.
4. Insert the valve rubber retainer into the valve body with the valve rubber up. Align the cam arm to the valve body and insert first pin.
5. Align the float arm and attached float to the cam arm and insert second pin.

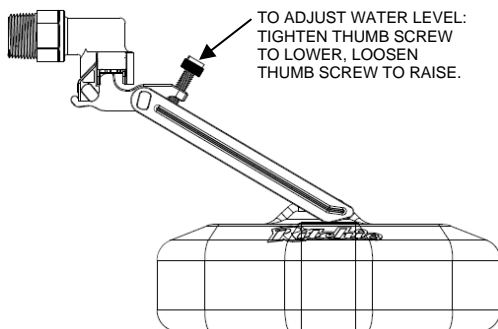


G. Valve mounting – After the fountain is in the proper place, place rubber washer, plastic washer, and nut on bulkhead, cut the hose to length and connect the valve bracket with hose clamp. Place the valve and bracket assembly in the slot provide in the wall of the valve chamber and tighten nut.



H. Drain Plug – The pre-assembled drain plug should go on the lower hole on the sidewall of the unit. **Install drain plug from inside of trough.** Tighten plastic wing nut to secure plug.

NOTE: *To drain the unit, you can push the plug from outside of the unit into the center of the unit, instead of reaching into the water to pull the plug out. After the fountain drains, then reach in to retrieve the plug and install it from the inside.*



I. Float Adjustment - Turn on the water supply, check for and correct any leaks. Adjust valve thumb screw to adjust water level. To lower the water level, manually adjust float with hand and then set thumb screw. The water level should be adjusted to leave a gap of 1/2" between the elliptical closure and the rim of the water well. If the closure rests against the rim, they are more likely to freeze together.

J. Install Valve Chamber Cover - Set the elliptical closures inside the unit base. Fasten the cover with the captive hardware provided. Note: Serial number or date code is found on underneath side of top red valve cover.

K. Cleaning Your Fountain – To clean your watering fountain you will need a good stiff bristled brush. Remove the cover then brush the tank to remove any build-up. Remove the drain plug that is in the drink area to drain out the water and debris. You can shut off the water with the shut-off valve located under the unit or by holding the float in the up position. After the water and debris has drained reinstall the plug and let the tank refill. Now is a good time to readjust the float if needed. Reinstall cover and you are done.

Ritchie Valves

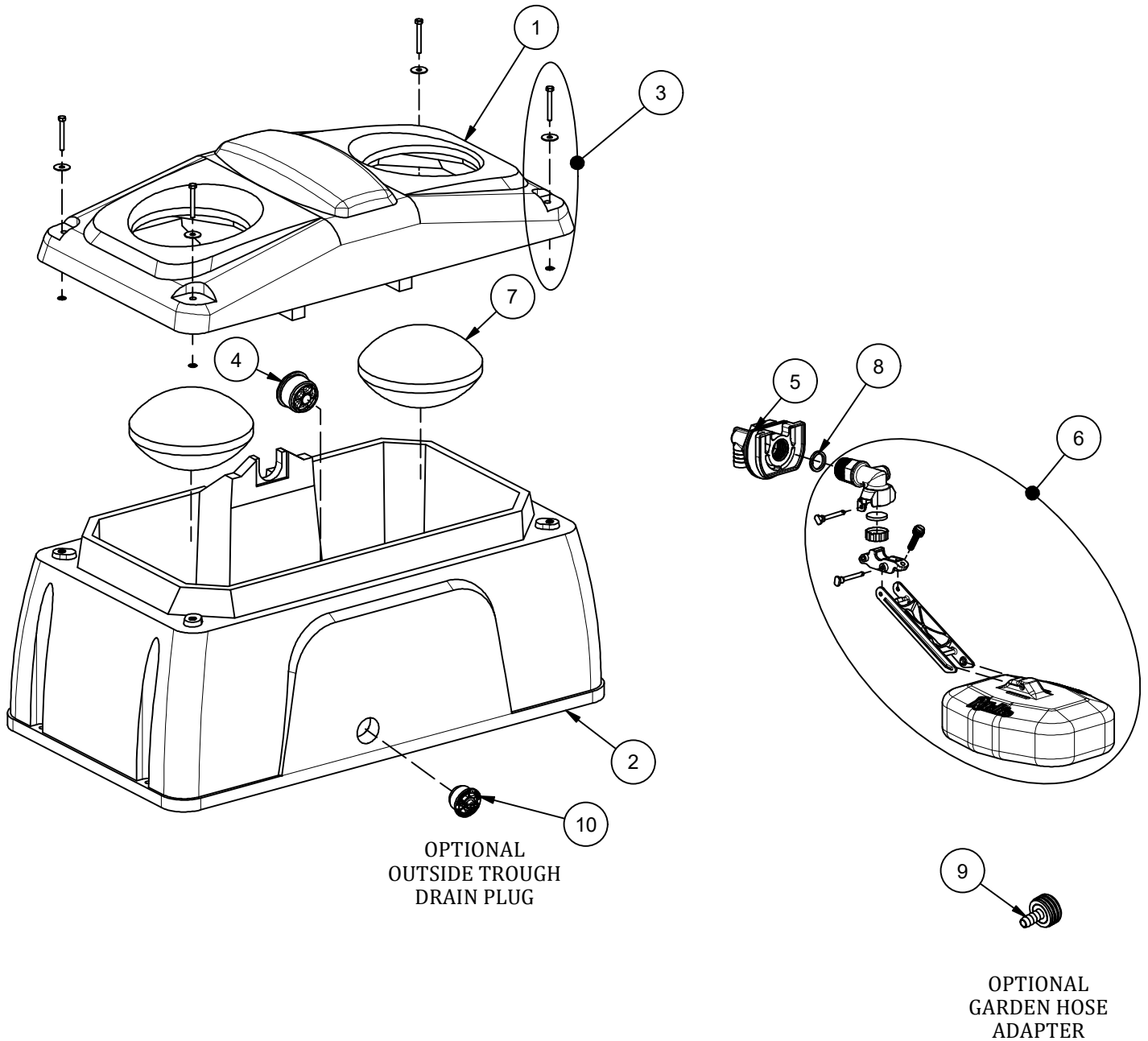
The Genesis GC-2 comes standard with our 3/4" yellow high-pressure valve that is rated up to 110 psi. If water pressure is very high and valve does not shut off consistently, a pressure-reducing valve (Ritchie # 18649) may be needed. Your individual situations may require a change from the standard valve supplied with your fountain.

Trouble Shooting

Problem	Solution
Valve won't stop dripping	Check float adjustment. Ensure float moves freely.
	Disassemble valve and check for sand or scale in valve rubber
	Turn valve rubber over and re-assemble.
	Check for excessive water system pressure.
Low Water Flow	Check that valve inlet is not plugged or supply hose is not kinked.
	Check system pressure from supply hose by installing a tee and pressure gauge in front of the valve to check pressure drop when valve is open. A severe pressure drop indicates a restriction or undersized supply system.
	Check that shut off valves are fully open.

Genesis GC-2

Part # 18890



Item	Part #	Description	Qty	Item	Part #	Description	Qty
1	18892	Genesis GC-2 Cover	1	7	18674	Elliptical Ball Enclosure (Blue)	2
2	18891	Genesis GC-2 Base	1	8	18475	O-Ring Valve Seal Pkg (4/pkg)	1
3	18858	Cover Hardware GC (4/pkg)	1 pkg	9	18696	Garden Hose Hookup	1
4	18470	Ritchie 3" Plug pkg	1 pkg	10	18849	Ritchie 2" Plug pkg (Optional)	1 pkg
5	18838	HP Valve Brkt Assy pkg	1 pkg	NS	18893	GC-2 Accessory pkg	1 pkg
6	18832	HP Valve Assembly pkg	1 pkg				



RITCHIE INDUSTRIES, INC. LIMITED WARRANTY

Ritchie Industries, Inc., hereinafter referred to as Ritchie Industries, gives a LIMITED WARRANTY for the period of time(s) stated herein, subject to certain limitations, on your new watering system against defects in material or workmanship when properly installed, set up, operated, and maintained in accordance with the instructions and recommendations set forth by Ritchie Industries, including in the Installation Instructions. **The warranty excludes labor and shipping charges.**

The warranty is transferable to the next purchaser of the watering system prior to expiration of the warranty period, but any such transfer will not extend the original warranty term. Proof of purchase must be submitted with any warranty claim, and all warranty claims shall be processed through an Authorized Ritchie Dealer or Distributor.

Ritchie Industries' liability for any defects in material or workmanship with respect to accepted goods shall be limited to repairing the goods or replacing them as Ritchie Industries shall elect. Parts used in warranty repairs will be warranted for the balance of the water system's warranty period, with all parts replaced under warranty becoming the property of Ritchie Industries.

The limited warranty periods begin upon delivery of the watering system to the original purchaser. Upon delivery of the goods, purchaser assumes all liability, including but not limited to all personal injury and property damage, resulting from the handling, possession, or use of the goods.

WARRANTY COVERAGE AND LIMITATIONS

Limitations of Warranties and Remedies

Ritchie Industries' watering systems are designed and manufactured to provide years of reliable use when installed and operated consistent with Ritchie Industries' instructions and recommendations. However, the potential for improper installation, modifications and misuse of the goods exists. Therefore, the limited warranty provided shall be as follows:

This limited warranty shall not apply to any appearance items and shall not apply to any product which has been subject to misuse, abuse, abnormal service or handling, negligence, or accident, nor to any product that is installed and/or used contrary to Ritchie Industries' installation instructions and instructions for use. The limited warranty shall also not apply to any product whose exterior has been damaged or otherwise defaced, that has been repaired, altered, or modified by anyone, other than Ritchie Industries, in a way so as in Ritchie Industries' judgment it adversely affects the product's operation, performance, durability, or intended use, nor to any product where removal of parts, modification(s) or use of parts or accessories not manufactured or approved by Ritchie Industries has caused damage.

Coverage and Warranty Periods

Unit Type	Coverage and Warranty Period
Poly Units (Genesis)	Base, top, and ball closures. One-year limited warranty from the date of purchase against manufacturing defect, 100%.
Component Parts	One-year limited warranty on all component parts, such as floats, valves, and heating elements.

Exclusions of Liability

EXCEPT AS OTHERWISE EXPRESSLY STATED HEREIN, RITCHIE INDUSTRIES MAKES NO OTHER WARRANTY OR REPRESENTATION OF ANY KIND, EXPRESSED OR IMPLIED. **THE IMPLIED WARRANTY OF MERCHANTABILITY AND FITNESS FOR A PARTICULAR PURPOSE ARE EXCLUDED FROM THIS LIMITED WARRANTY.** TO THE EXTENT THEY CANNOT BE DISCLAIMED, THE IMPLIED WARRANTIES ARE LIMITED IN DURATION TO THE LIFE OF THE EXPRESS WARRANTY. **THIS LIMITED WARRANTY EXCLUDES INCIDENTAL, CONSEQUENTIAL, AND SPECIAL DAMAGES. THIS EXCLUSION OF CONSEQUENTIAL, INCIDENTAL, AND SPECIAL DAMAGES IS INDEPENDENT FROM AND SHALL SURVIVE ANY FINDING THAT THE EXCLUSIVE REMEDY FAILED OF ITS ESSENTIAL PURPOSE.** THE REMEDIES SET FORTH IN THIS LIMITED WARRANTY ARE THE ONLY REMEDIES AVAILABLE TO ANY PERSON UNDER THIS WARRANTY. SOME STATES/PROVINCES DO NOT ALLOW FOR THE DISCLAIMERS, LIMITATIONS, AND EXCLUSIONS IDENTIFIED ABOVE AND, AS A RESULT, THEY MAY NOT APPLY TO YOU.

No agent, employee or representative of Ritchie Industries, and no Ritchie Industries Dealer/Distributor, is authorized to bind Ritchie Industries to any representation or warranty regarding the goods except as specifically included in this limited warranty.

Installation Instructions for



Genesis GC-2 Fountains

Congratulations, you have just purchased the finest watering fountain on the market. This unit is built to give you excellent service when properly installed and maintained. Please follow instructions carefully. Read and understand all instructions before installing.

Ritchie Industries, Inc.
800-747-0222
www.ritchiefount.com

